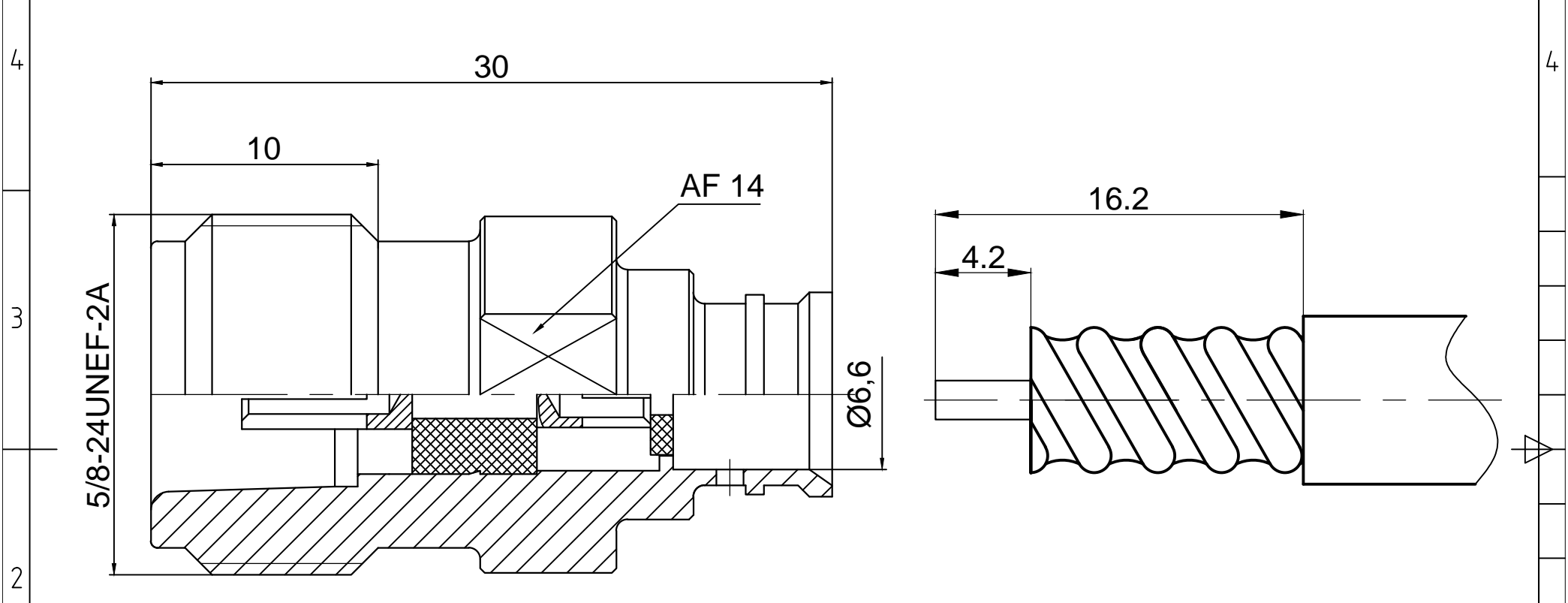


RevNo	Revision note	Date	Signature	Checked
00	Sketch Only	09/07/2019		



Material & Finishing:

1. Center conductor: beryllium-copper, Silver Plating
2. Insulator: PTFE
3. Body : Brass, Ternary Alloy plating

Electrical Data:

1. Impedance: 50 Ohms
2. Frequency: 0~6 GHz
3. VSWR: 1.15(0~3 GHz)
4. PIM: <-160dBc

RoHS Compliant.

ALL DIMENSIONS ARE IN MILLIMETERS AND [INCHES]

Unit:mm



Raynool Technology Co., Ltd.

THESE DRAWING & SPEC. ARE THE PROPERTY OF Raynool AND SHALL NOT BE REPRODUCED, OR COPIED OR USED AS THE BASIS FOR THE MANUFACTURE OR SALE OF APPARATUS OR DEVICES WITHOUT THEIR EXPRESS WRITTEN CONSENT.

UNLESS OTHERWISE NOTED ALL SURFACES FINISHED TO 64/MAX.

ALL TOLERANCES ARE:		ANGLES
DECIMALS	FRACTIONS	x' ± 1'
x ± 1.0	±1/64	x'x' ± 0.5
x.x ± 0.5	x.xx ± 0.1	

Title			
N FEMALE FOR SPP-250-LLPL CABLE			
Drawn by	Ckd by	Appd by	Date
			09/07/2019
Scale	Sheet 1 of 1	Customer PN:	
2:1			