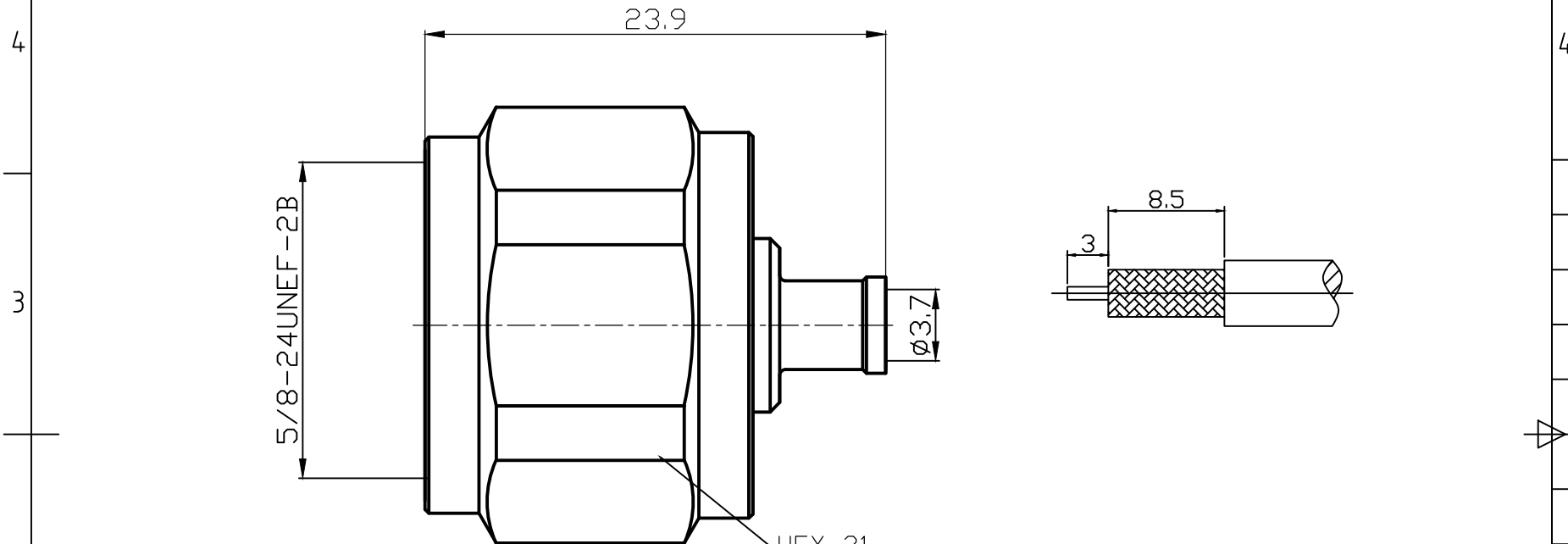


RevNo	Revision note	Date	Signature	Checked
00	Sketch Only	04/14/2019		



Material & Finishing:

1. Center condutor: Brass, Silver Plating
2. Insulators: PTFE
3. Body : Brass, Ternary Alloy Plating
4. Other Metal Parts: Brass, Nickel Plating
5. Gasket: Silicone Rubber

Electrical Data:

1. Impedance: 50 Ohms
2. Frequency: 0~3 GHz
3. VSWR: 1.15Max
4. Proof Voltage : 4000Veff
5. Working voltage: 2700 Veff

PIM: $\leq -155\text{dBc}(2*43\text{dBm})$

RoHS Compliant.

ALL DIMENSIONS ARE IN MILLIMETERS AND [INCHES]

Unit:mm

RayNool
Raynool Technology Co., Ltd.

Title			
N MALE FOR RG402 CABLE			
Drawn by	Ckd by	Appd by	Date
			04/14/2019
Scale	Sheet 1 of 1	3650511	
1:1		3.650.F511	

UNLESS OTHERWISE NOTED ALL SURFACES FINISHED TO 64/MAX.		
ALL TOLERANCES ARE:		
DECIMALS	FRACTIONS	ANGLES
x ± 1.0	±1/64	x' ± 1'
x.x ± 0.5		x'x' ± 0.5'
x.xx ± 0.1		

THESE DRAWING & SPEC. ARE THE PROPERTY OF Raynool AND SHALL NOT BE REPRODUCED, OR COPIED OR USED AS THE BASIS FOR THE MANUFACTURE OR SALE OF APPARATUS OR DEVICES WITHOUT THEIR EXPRESS WRITTEN CONSENT.